



INSTRUCTION MANUAL

G3A3
Gas Blowback Airsoft Rifle

POWERED BY **UMAREX**

UMAREX HOLDS THE WORLDWIDE EXCLUSIVE HK TRADEMARK AND EXTERIOR DESIGN COPY LICENSE FOR USE WITH THIS PRODUCT GRANTED BY HECKLER & KOCH GMBH



SPECIFICATION

Length :	1025mm
Weight (with magazine) :	4.10kg
Magazine Capacity :	30 Rounds
Muzzle Velocity :	450 FPS
Magazine Type :	Gas
Hop Up :	Adjustable
Firing Mode :	Semi / Full Auto
Material :	Full Steel Stamping Press, except plastic stock
Sights :	Rear Rotary Diopter, Front Hooded Post

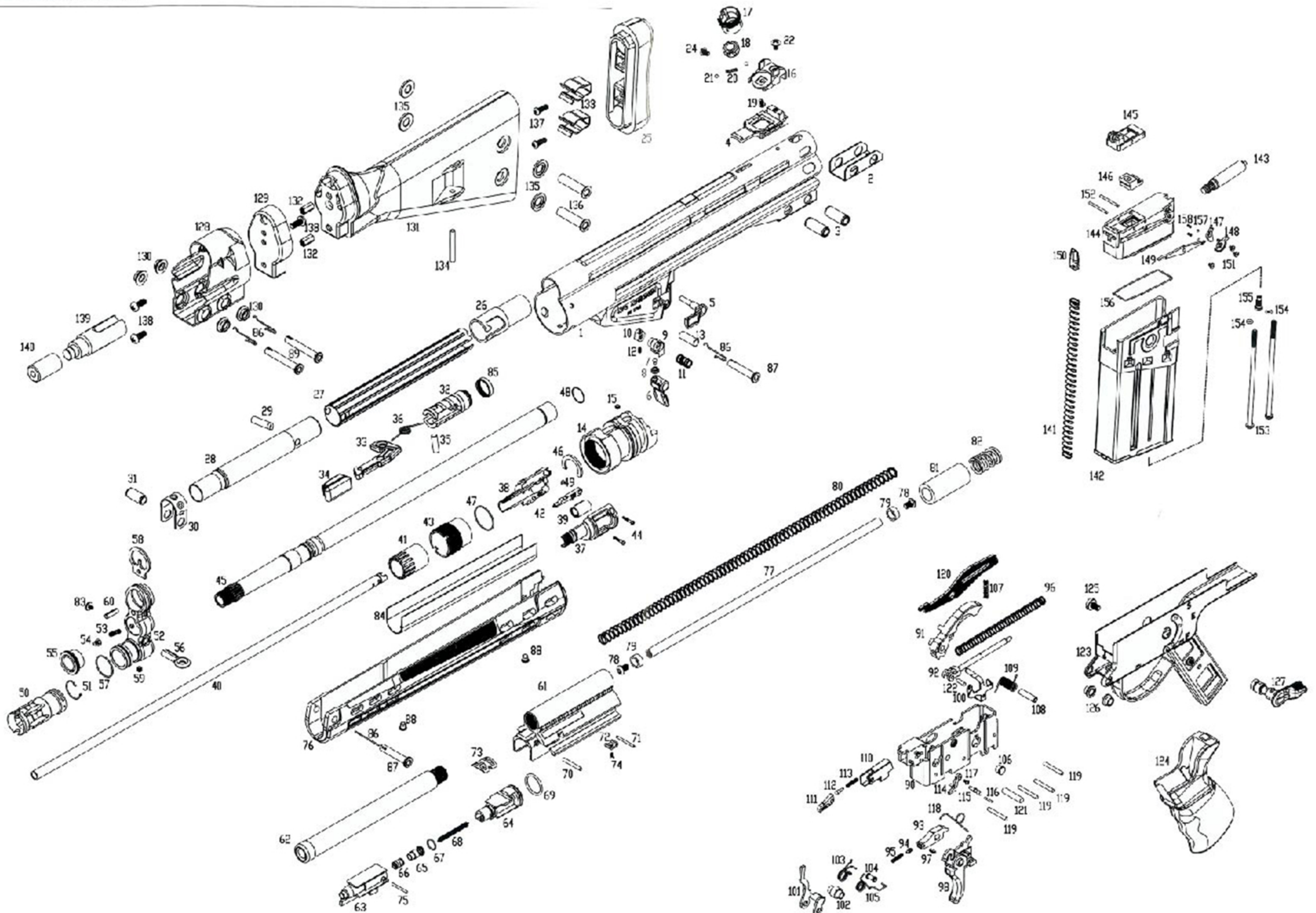
DESCRIPTION



WARNING

- Always keep your gun in on safety mode if you do not intend to shoot anything
- Keep your finger off the trigger until ready to shoot
- Do not point the gun at anything you do not intend to shoot
- Always wear eye protection when shooting

PARTS DIAGRAM



FIRING MODE



Safe Mode
The trigger will not fire the gun.



Semi-Auto Mode
Each pull of the trigger will fire the gun once.



Full-Auto Mode
Pressing the trigger will fire the gun until released.

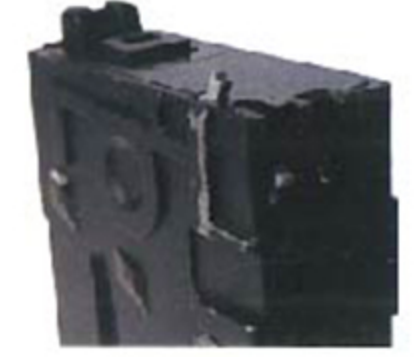
SHOOTING PROCEDURE



1. Pull the cocking lever to cycle the bolt carrier
2. Switch selector to firing mode

3. Pull the trigger

DRY FIRING



The gun will stop shooting when the magazine is out of BBs.

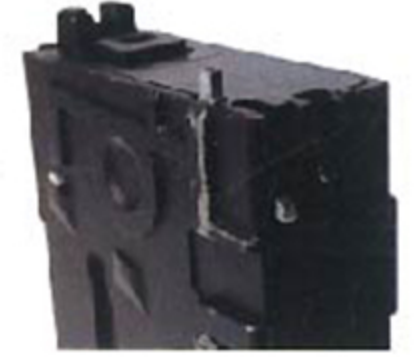
MAGAZINE OPERATION



Turn the magazine over and charge the gas via gas inlet valve.



Load the BBs at the feed lip on top of the magazine.



Push the switch forward to engage dry firing to fire without BBs in magazine.

HOP UP ADJUSTMENT



Hop Up Adjustment Wheel

